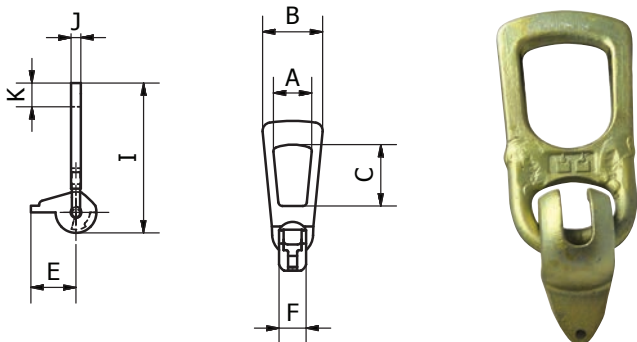


Beaver Concrete Lifting Clutch

Product Code	W.L.L. Tonne	A mm	B mm	C mm	F mm	J mm	K mm	E mm	I mm	Net Weight (kg)	UOM
260013	1.3T	47	79	68.5	34	14	22	55	162	1	Each
260025	2.5T	54	92	81.49	44	16	28	70	205	1.6	Each
260050	5.0T	69	122	84	58	20	40	85	237	3.4	Each
260100	10T	98	171	114	77	26	52	118	348	9.6	Each
260200	20T	116	196	150	110	35	74	155	441	21	Each
260320	32T	180	272	189	153	40	100	214	584	58	Each



Beaver Drum Lifting Frame

Lifts Drums with Lids On or Off

Product Code	W.L.L. Tonne	Drum Size (l)	H mm	H2 mm	Ø D mm	Ø D2 mm	L1 mm	Weight (kg)	UOM
263507T	700	200	1600	750	610	20	305	53	Each

